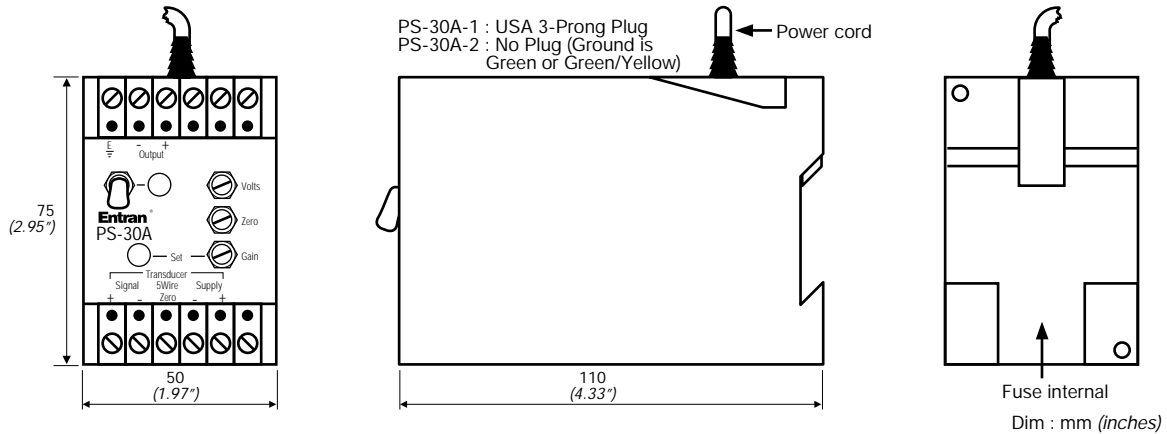


PS-A Amplifier & Power Supply

General Purpose Amplifier - Dual Output Power Supply

PS-30A




PS-A Series Characteristics, Accessories and Function Modules

OUTPUT SUPPLY VOLTAGE (adjustable):	± 1 to ± 7.5 VDC (1 to 15VDC without 0V Reference)
OUTPUT SUPPLY CURRENT max.:	50mA
SUPPLY STYLE:	Dual Output
SENSOR ZERO OFFSET CONDITIONING:	
FOR 5-WIRE BRIDGE	± 50 mV Input
FOR 4-WIRE BRIDGE	± 50 mV Input
BRIDGE INPUT/OUTPUT SCREW TERMINALS:	Yes
SIGNAL AMPLIFIER: GAIN	10 to 100 adjustable
OUTPUT	0 to 10V (10k Ω min. load)
BANDWIDTH ($\pm 10\%$)	20KHz
BUILT-IN TEST SIGNAL:	50mV nom.
INPUT POWER:	Type 1 = 110V, 60Hz, USA 3-Prong Plug Type 2 = 220/240V, 50Hz Power cord without Plug (Groundwire is Green or Green/Yellow)
CE CONFORMANCE:	EN61010-1, EN 50081-1, EN 50082-1
FRONT PANEL ALTERNATE LANGUAGE OPTIONS (ENGLISH IF NOT SPECIFIED):	F = French J = Japanese G = German S = Spanish I = Italian W = Swedish
3 UNIT MOUNTING RAIL:	Model PSR-3U
7 UNIT MOUNTING RAIL:	Model PSR-7U
19" RACK MOUNTING RAIL FOR 9 UNITS:	Model PSR-19R
1 METER MOUNTING RAIL FOR 20 UNITS:	Model PSR-1M
HI/LO DUAL SET-POINT RELAY MODULE:	Model PS-HL
6 CHANNEL VOLTAGE DISPLAY MODULE:	Model PS-D6

Model Number Construction

PS-30A Series	-	1 Input Power	F Language
PS-30A		1 2	(English if not specified) F J G S I W

"Off-the-Shelf" Stocking Program

 www.entran.com	PS-A AMPLIFIER & SUPPLY General Purpose Amplifier Dual Output Power Supply	Entran Sensors & Electronics USA: Fairfield, NJ UK: Garston, Watford, Herts, England Europe: Les Clayes-sous-Bois, France		
		SPECIFICATION	ISSUE	PAGE
		PSAS0001U	P01	1 of 1